

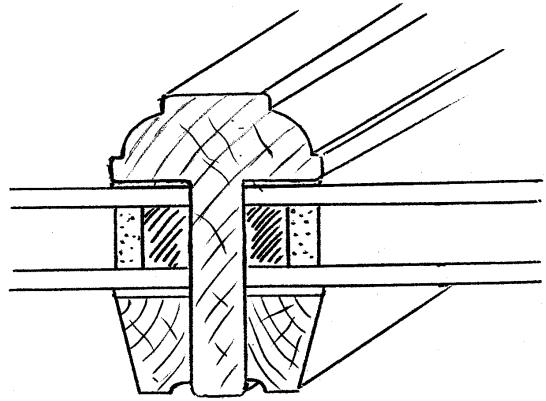
FLETCHER JOINERY, 261 WHESOE ROAD, DARLINGTON

01325 357347

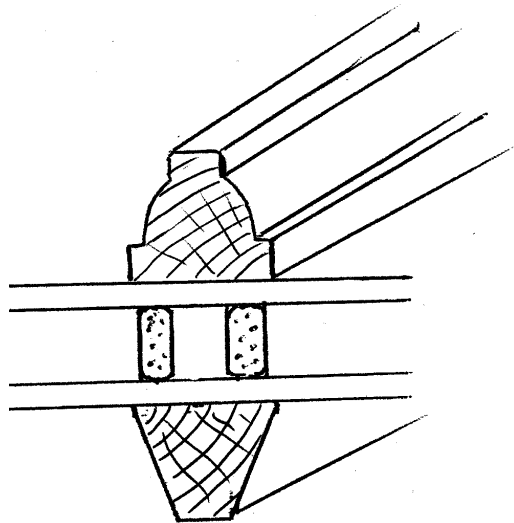
www.fletcherjoinery.co.uk

DOUBLE-GLAZED GLAZING BAR OPTIONS

Traditional section through glazing bar showing two separate double-glazing units with the glazing bar between. Note that the glazing bar section has to be quite wide to cover the edges of the units.



Section through “false” glazing bar showing one double-glazing unit with the glazing bar adhered externally. Note that the glazing bar section can be much narrower here, and is usually more in keeping with traditional-style windows which now have to be double-glazed.



An example of the second option above, showing the narrower glazing bars.



The above specification is correct at 12/3/2004, but may change due to improvement and development of the product.